

IAG/UG/IEG/CEG

IAG/UG/IEG/CEG

General Description

- IEG versions meet IEC spacing requirements for installation in equipment that must comply with IEC 601 and 950, and VDE 0730, 0804, and 0805
- Multi-pole versions with multi or single handle
- Option auxiliary switch
- Snap-in mounting option
- Mid-trip handle option
- Dual frequency option

Number of Poles

1, 2, 3, 4, 5, 6

Current and Voltage Ratings

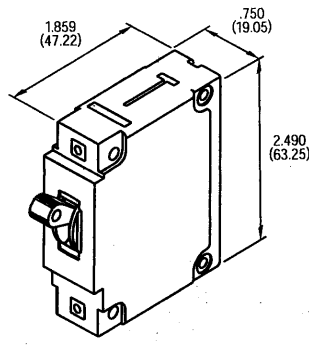
- .050 - 50 amps, 80Vdc
- .050 - 50 amps, 240Vac, 50/60 Hz
- .050 - 30 amps, 277Vac, 50/60 Hz
- .050 - 30 amps, 250Vac, 400 Hz

Interrupting Capacity

- 5000 amps, 240Vac, 50/60 Hz
- 1500 amps, 250Vac, 400 Hz
- 7500 amps, 80Vdc (IEG)
- 5000 amps, 80Vdc (CEG)
- 2000 amps, 250Vac, 50/60 Hz (VDE)
- 4000 amps, 80Vdc (VDE)

Approvals*

UL489AListed (CEG) - ULRecognized - CSACertified - VDE Approved (IEG, CEG) - UL 1500 Certified - CE Compliant



IAL/UL/IEL

IAL/UL/IEL

General Description

- IELversions meet IEC spacing requirements for installation in equipment that must comply with IEC 601 and 950 and VDE 0730, 0804, and 0805
- Multi-pole versions with multi or single handle
- Option auxiliary switch
- Snap-in mounting option
- Mid-trip handle option
- Dual frequency option

Number of Poles

1, 2, 3, 4, 5, 6

Current and Voltage Ratings

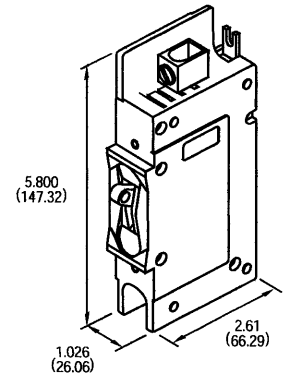
- .050-100 amps, 65Vdc
- .050 - 70 amps, 80Vdc
- .050 - 70 amps, 240Vac, 50/60 Hz
- .050 - 50 amps, 277Vac, 50/60 Hz
- .050 - 50 amps, 277/480Vac, 50/60 Hz
- .050 - 50 amps, 250Vac, 400 Hz

Interrupting Capacity

- 5000 amps, 240Vac, 50/60 Hz
- 1500 amps, 250Vac, 400 Hz
- 7500 amps, 80Vdc
- 2000 amps, 240Vac, 50/60 Hz (VDE)
- 2000 amps, 415Vac, 50/60 Hz (VDE)
- 4000 amps, 80Vdc (VDE)
- 1200 amps, 277/480Vac

Approvals*

UL Recognized - CSACertified - VDE Approved (IEL) - UL1500 Certified - CE Compliant



LEL

LEL

General Description

- LELversions meet IEC spacing requirements for installation in equipment that must comply with IEC 601 and 950, and VDE 0730, 0804, and 0805
- Multi-pole versions with multi or single handle
- Option auxiliary switch
- Snap-in mounting option
- Mid-trip handle option
- Dual frequency option

Number of Poles

- 1, 2, 3
- Current and Voltage Ratings
- .050 - 100 amps, 80Vdc
- .050 - 50 amps, 125Vac, 50/60 Hz
- .100 - 100 amps, 80Vdc (VDE)
- .100 - 50 amps, 250Vac (VDE)

Interrupting Capacity

- 50000 amps, 80Vdc
- 5000 amps, 125Vac, 50/60 Hz
- 2000 amps, 80Vdc (VDE)
- 2000 amps, 250Vac, 50/60 Hz (VDE)

Approvals*

UL489 Listed - CSACertified - VDE Approved - CE Compliant

209/219/229/279

General Description

- Front-or-back connected terminal styles
- E-Frame style model complies with ULstandard 489
- 249 Power Selector Breaker System is listed as a Branch Circuit Breaker per UL489 Complies with International Requirements
- 279 style complies to UL489A

Number of Poles

1, 2, 3, 4, 5, 6

Current and Voltage Ratings

- .100 to 100 amperes, 160Vdc
- .100 to 100 amperes, 125Vdc
- .100 to 77 amperes, 600Vac
- .100 to 100 amperes, 120, 240, 277, 480Vac
- .100 to 100 amperes, 125Vdc, 240Vac/415Vac (VDE)

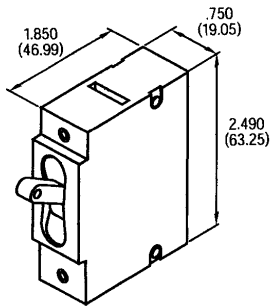
Interrupting Capacity

- 5000 amperes
- 10000 amperes
- 4000 (VDE)

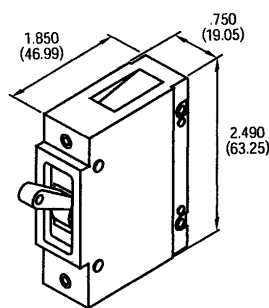
Approvals*

UL489 Listed - UL489AListed (279) - ULRecognized - CSACertified - VDE Approved -UL1500 Certified - CE Compliant

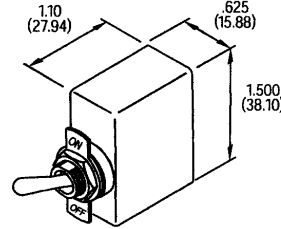
*Consult factory for conditions of acceptability.



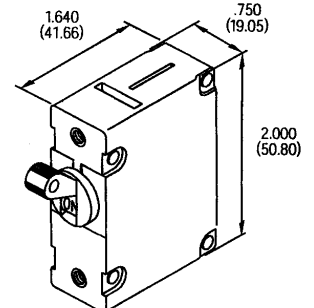
APL/UPL



205/295/205D



AP/UP, AP/MIL



205/295/205D

General Description

Circuit protection combines with ON-OFF switching
Multi-pole assemblies available with a mix of current ratings, delays and configurations
QPLto MIL-PRF-55629

Number of Poles

1, 2, 3, 4, 5, 6, 7, 8, 9

Current and Voltage Ratings

.050 - 20 amperes, 277Vac
.050 - 50 amperes, 250Vac
.050 - 100 amperes, 65Vdc

Interrupting Capacity

5000 amperes, 65Vdc (50 amp max. rating)
5000 ampere.s, 120Vac (50 amp max. rating)
5000 amperes, 277Vac (20 amp max. rating)

Approvals*

UL Recognized -CSACertified - QPLto MIL-PRF-55629 - CE Compliant

*Consult factory for conditions of acceptability.

APL/UPL

General Description

Dust proof enclosure
Tongue and groove construction provides overlapping closure
Barrier styles available for multipole units
Ideal for harsh environments

Number of Poles

1, 2, 3, 4, 5, 6, 7, 8, 9

Current and Voltage Ratings

.050 - 30 amperes, 277/480Vac
.050 - 60 amperes, 250Vac, 65Vdc
.050 - 100 amperes, 65Vdc

Interrupting Capacity

5000 amperes, 250Vac, 65Vdc
3000 amperes, 65Vdc
1500 amperes, 277/480Vac (30 amp max.)
5000 amperes, 277/480Vac with 125 amp series fuse

Approvals*

UL Recognized - CSACertified - CE Compliant

AP/UP, AP/MIL

General Description

QPLto MIL-PRF-39019
Sealed protection
Can withstand 100G shock repeatedly
Tolerates 10G vibration from 10 to 2000Hz under full load
Trip point unaffected by ambient temperatures between -40°C and +100°C
Ideal for mobile equipment applications

Number of Poles

1, 2, 3

Current and Voltage Ratings

AP Ratings
.050 to 20 amperes, 240Vac, 50Vdc UP Ratings (single pole only)
.050 to 20 amperes, 50Vdc
.050 to 15 amperes, 120Vac
.050 to 7.5 amperes, 240Vac

Interrupting Capacity

AP Ratings
500 amperes, 50Vdc, 120Vac
300 amperes, 240Vac
UP Ratings
1000 amperes, 50Vdc, 240Vac

Approvals*

QPLto MIL-PRF-39019 - ULRecognized (UP style only)

*Consult factory for conditions of acceptability.

APG/UPG/IPG

General Description

Multi-pole assemblies with single toggle actuation simplifies installation
QPLto MIL-PRF-55629
Panel seal toggle version
Color handles
Rocker handles

Number of Poles

1, 2, 3, 4

Current and Voltage Ratings

.020 - 30 amperes, 277Vac
.020 - 30 amperes, 250Vac, 65Vdc

Interrupting Capacity

2000 amperes, 65Vdc
2100 amperes, 250Vac, 400Hz
5000 amperes, 277Vac, 50/60Hz
500 amperes, 65Vdc, 250Vac (VDE)

Approvals*

UL Recognized - CSACertified - QPLto MIL-PRF-55629 - VDE Approved (IPG only) - CE Compliant (IPG only)