

**Chip
Tech, Ltd.**

**LED
CATALOG**

<http://www.chiptech.com>



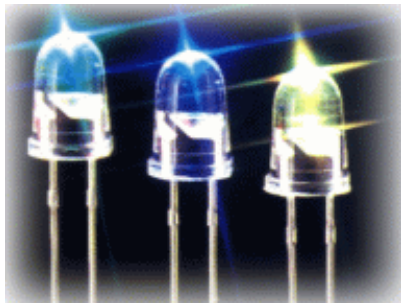
Price, Performance, and Quality

At ChipTech, Ltd., we specialize in LED products from overseas factories to offer you substantial cost savings with technology of equal if not superior performance and quality.

If you use LEDs from any of these manufacturers, provide us with the part numbers and our engineering department will cross reference them for you!



Here are just some examples of the styles that we can offer to you in both DIP and SMT technologies.



DIP



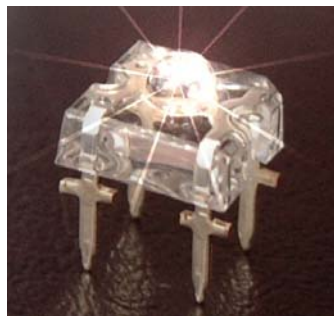
SMT



Displays



Mega TopLED



Superflux



Multi-color

Table of Contents

DIP LEDs.....3

- SuperBright - Round - 3mm LEDs 3
- SuperBright - Round - 5mm LEDs 4
- SuperBright - Round - 5mm LEDs..... 5
- SuperBright - White - 3mm LEDs..... 5
- SuperBright - White - 5mm LEDs..... 7
- Traffic Signal Use LEDs 8
- SuperBright - Oval - 4mm LEDs..... 9
- SuperBright - Oval - 5mm LEDs..... 10
- Superflux LEDs 11

Surface Mount LEDs12

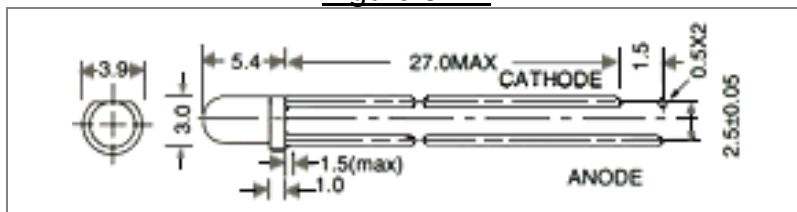
- SMT 1208 LEDs..... 12
- SMT 1206 LEDs..... 13
- SMT 1204 Right Angle LEDs..... 14
- SMT 0805 LEDs..... 15
- SMT 0603 LEDs..... 16
- SMT TopLED LEDs 17
- SMT Mega TopLED LEDs 19
- SMT 7 Segment Displays 20

DIP LEDs

SuperBright - Round - 3mm LEDs

Part Number	Color	W/L (nm)	Lens	IV (mcd)	View Angle	VF Typ.	Fig.
LED-R-660-3-14-140-CTL	Red	660	Red Diffused	140	14	1.9	3D-1
LED-R-660-3-14-300-CTL	Red	660	Red Diffused	300	14	1.9	3D-1
LED-R-650-3-14-500-CTL	Red	650	Water Clear	500	14	1.8	3D-1
LED-R-650-3-14-800-CTL	Red	650	Water Clear	800	14	1.8	3D-1
LED-R-650-3-14-1600-CTL	Red	650	Water Clear	1600	14	2.0	3D-1
LED-R-630-3-14-220-CTL	Red	630	Red Transp	220	14	2.1	3D-1
LED-R-630-3-14-220-CTL	Red	630	Water Clear	220	14	2.1	3D-1
LED-R-625-3-14-1400-CTL	Red	625	Water Clear	1400	14	2.1	3D-1
LED-R-625-3-14-2000-CTL	Red	625	Water Clear	2000	14	2.1	3D-1
LED-R-625-3-14-2600-CTL	Red	625	Water Clear	2600	14	2.2	3D-1
LED-R-625-3-14-3200-CTL	Red	625	Water Clear	3200	14	2.2	3D-1
LED-R-625-3-14-5000-CTL	Red	625	Water Clear	5000	14	2.2	3D-1
LED-O-605-3-14-1400-CTL	Orange	605	Water Clear	1400	14	2.0	3D-1
LED-O-605-3-14-2600-CTL	Orange	605	Water Clear	2600	14	2.2	3D-1
LED-O-605-3-14-3200-CTL	Orange	605	Water Clear	3200	14	2.2	3D-1
LED-O-605-3-14-3800-CTL	Orange	605	Water Clear	3800	14	2.2	3D-1
LED-O-605-3-14-4500-CTL	Orange	605	Water Clear	4500	14	2.2	3D-1
LED-Y-590-3-14-130-CTL	Yellow	590	Yellow Transp	130	14	2.2	3D-1
LED-Y-590-3-14-130-CTL	Yellow	590	Water Clear	130	14	2.2	3D-1
LED-Y-589-3-14-5000-CTL	Yellow	589	Water Clear	5000	14	2.2	3D-1
LED-Y-587-3-14-1400-CTL	Yellow	587	Water Clear	1400	14	2.0	3D-1
LED-Y-587-3-14-2600-CTL	Yellow	587	Water Clear	2600	14	2.2	3D-1
LED-Y-587-3-14-3200-CTL	Yellow	587	Water Clear	3200	14	2.2	3D-1
LED-YG-572-3-15-1500-CTL	Yellow Green	572	Water Clear	1500	15	2.0	3D-1
LED-YG-571-3-14-150-CTL	Yellow Green	571	Green Transp	150	14	2.3	3D-1
LED-YG-571-3-14-150-CTL	Yellow Green	571	Water Clear	150	14	2.3	3D-1
LED-YG-571-3-14-220-CTL	Yellow Green	571	Water Clear	220	14	2.3	3D-1
LED-G-525-3-16-4500-CTL	Green	525	Water Clear	4500	16	3.6	3D-1
LED-G-525-3-16-6500-CTL	Green	525	Water Clear	6500	16	3.6	3D-1
LED-G-525-3-30-3500-CTL	Green	525	Water Clear	3500	30	3.6	3D-1
LED-G-525-3-30-5000-CTL	Green	525	Water Clear	5000	30	3.6	3D-1
LED-BG-505-3-16-4000-CTL	Blue Green	505	Water Clear	4000	16	3.6	3D-1
LED-BG-505-3-16-6000-CTL	Blue Green	505	Water Clear	6000	16	3.6	3D-1
LED-BG-505-3-30-3000-CTL	Blue Green	505	Water Clear	3000	30	3.6	3D-1
LED-BG-505-3-30-4500-CTL	Blue Green	505	Water Clear	4500	30	3.6	3D-1
LED-B-470-3-20-2000-CTL	Blue	470	Water Clear	2000	20	3.6	3D-1
LED-B-470-3-20-3000-CTL	Blue	470	Water Clear	3000	20	3.6	3D-1
LED-B-470-3-32-2000-CTL	Blue	470	Water Clear	2000	32	3.6	3D-1
LED-B-470-3-32-3000-CTL	Blue	470	Water Clear	3000	32	3.6	3D-1

Figure 3D-1



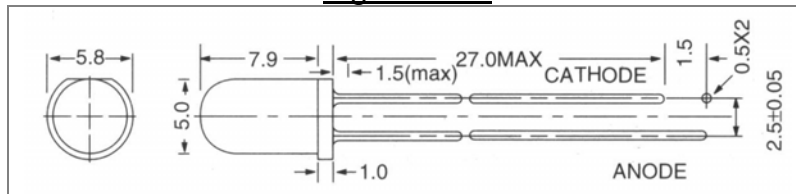
SuperBright - Round - 5mm LEDs

Part Number	Color	W/L (nm)	Lens	IV (mcd)	View Angle	VF Typ.	Fig.
LED-R-660-5-30-160-CTL	Red	660	Red Diffused	160	30	1.9	5D-1
LED-R-660-5-30-200-CTL	Red	660	Red Diffused	200	30	1.9	5D-1
LED-R-650-5-16-800-CTL	Red	650	Water Clear	800	16	1.8	5D-1
LED-R-650-5-16-1200-CTL	Red	650	Water Clear	1200	16	1.8	5D-1
LED-R-650-5-16-2200-CTL	Red	650	Water Clear	2200	16	2.0	5D-1
LED-R-650-5-22-2000-CTL	Red	650	Water Clear	2000	22	2.0	5D-1
LED-R-625-5-16-2200-CTL	Red	625	Water Clear	2200	16	2.1	5D-1
LED-R-625-5-16-2800-CTL	Red	625	Water Clear	2800	16	2.2	5D-1
LED-R-625-5-16-3000-CTL	Red	625	Water Clear	3000	16	2.1	5D-1
LED-R-625-5-16-4000-CTL	Red	625	Water Clear	4000	16	2.2	5D-1
LED-R-625-5-16-5000-CTL	Red	625	Water Clear	5000	16	2.2	5D-1
LED-R-625-5-18-8000-CTL	Red	625	Water Clear	8000	18	2.5	5D-1
LED-R-625-5-30-2100-CTL	Red	625	Water Clear	2100	30	2.1	5D-1
LED-R-625-5-30-3500-CTL	Red	625	Water Clear	3500	30	2.2	5D-1
LED-R-625-5-30-5000-CTL	Red	625	Water Clear	5000	30	2.5	5D-1
LED-O-605-5-16-2200-CTL	Orange	605	Water Clear	2200	16	2.1	5D-1
LED-O-605-5-16-3000-CTL	Orange	605	Water Clear	3000	16	2.1	5D-1
LED-O-605-5-16-4000-CTL	Orange	605	Water Clear	4000	16	2.2	5D-1
LED-O-605-5-16-4200-CTL	Orange	605	Water Clear	4200	16	2.2	5D-1
LED-O-605-5-16-5000-CTL	Orange	605	Water Clear	5000	16	2.2	5D-1
LED-O-605-5-16-6000-CTL	Orange	605	Water Clear	6000	16	2.2	5D-1
LED-O-605-5-16-7500-CTL	Orange	605	Water Clear	7500	16	2.2	5D-1
LED-O-605-5-30-2100-CTL	Orange	605	Water Clear	2100	30	2.1	5D-1
LED-O-605-5-30-2800-CTL	Orange	605	Water Clear	2800	30	2.2	5D-1
LED-O-605-5-30-3500-CTL	Orange	605	Water Clear	3500	30	2.2	5D-1
LED-O-605-5-30-5250-CTL	Orange	605	Water Clear	5250	30	2.2	5D-1
LED-Y-589-5-18-8000-CTL	Yellow	589	Water Clear	8000	18	2.2	5D-1
LED-Y-589-5-30-5000-CTL	Yellow	589	Water Clear	5000	30	2.2	5D-1
LED-Y-587-5-16-2200-CTL	Yellow	587	Water Clear	2200	16	2.0	5D-1
LED-Y-587-5-16-3000-CTL	Yellow	587	Water Clear	3000	16	2.0	5D-1
LED-Y-587-5-16-4000-CTL	Yellow	587	Water Clear	4000	16	2.2	5D-1
LED-Y-587-5-16-5000-CTL	Yellow	587	Water Clear	5000	16	2.2	5D-1
LED-Y-587-5-30-2100-CTL	Yellow	587	Water Clear	2100	30	2.0	5D-1
LED-Y-587-5-30-2800-CTL	Yellow	587	Water Clear	2800	30	2.2	5D-1
LED-Y-587-5-30-3500-CTL	Yellow	587	Water Clear	3500	30	2.2	5D-1
LED-YG-572-5-16-2000-CTL	Yellow Green	572	Water Clear	2000	16	2.0	5D-1
LED-G-525-5-18-14K-CTL	Green	525	Water Clear	14000	18	3.6	5D-1
LED-G-525-5-32-7500-CTL	Green	525	Water Clear	7500	32	3.6	5D-1
LED-G-525-5-32-11K-CTL	Green	525	Water Clear	11000	32	3.6	5D-1
LED-B-505-5-18-9000-CTL	Blue Green	505	Water Clear	9000	18	3.6	5D-1
LED-B-505-5-18-13K-CTL	Blue Green	505	Water Clear	13000	18	3.6	5D-1
LED-B-505-5-32-7000-CTL	Blue Green	505	Water Clear	7000	32	3.6	5D-1
LED-B-505-5-32-10K-CTL	Blue Green	505	Water Clear	10000	32	3.6	5D-1

SuperBright - Round - 5mm LEDs

Part Number	Color	W/L (nm)	Lens	IV (mcd)	View Angle	VF Typ.	Fig.
LED-B-470-5-18-3500-CTL	Blue	470	Water Clear	3500	18	3.6	5D-1
LED-B-470-5-18-5000-CTL	Blue	470	Water Clear	5000	18	3.6	5D-1
LED-B-470-5-32-2000-CTL	Blue	470	Water Clear	2000	32	3.6	5D-1
LED-B-470-5-32-3200-CTL	Blue	470	Water Clear	3200	32	3.6	5D-1
LED-P-405-5-20-100-CTL	Purple	405	Water Clear	100	20	3.8	5D-1
LED-P-405-5-20-200-CTL	Purple	405	Water Clear	200	20	3.8	5D-1

Figure 5D-1



SuperBright - White - 3mm LEDs

Part Number	Color	W/L (nm)	Lens	IV (mcd)	View Angle	VF Typ.	Fig.
LED-W-3-18-2500-CTL	White		Water Clear	2500	18	3.6	3W-A
LED-W-3-18-4000-CTL	White		Water Clear	4000	18	3.6	3W-A
LED-W-3-20-8500-CTL	White		Water Clear	8500	20	3.6	3W-C
LED-W-3-30-2000-CTL	White		Water Clear	2000	30	3.6	3W-A
LED-W-3-30-3200-CTL	White		Water Clear	3200	30	3.6	3W-A
LED-W-3-30-5000-CTL	White		Water Clear	5000	30	3.6	3W-B
LED-W-3-30-6000-CTL	White		Water Clear	6000	30	3.6	3W-B
LED-W-3-30-7000-CTL	White		Water Clear	7000	30	3.6	3W-B
LED-W-3-35-4000-CTL	White		Water Clear	4000	35	3.6	3W-C
LED-W-3-40-3000-CTL	White		Water Clear	3000	40	3.6	3W-B
LED-W-3-40-4000-CTL	White		Water Clear	4000	40	3.6	3W-B

Figure 3W-A

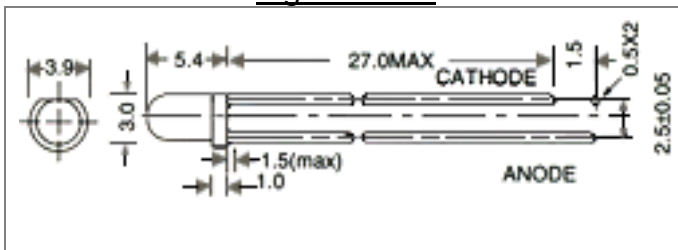


Figure 3W-B

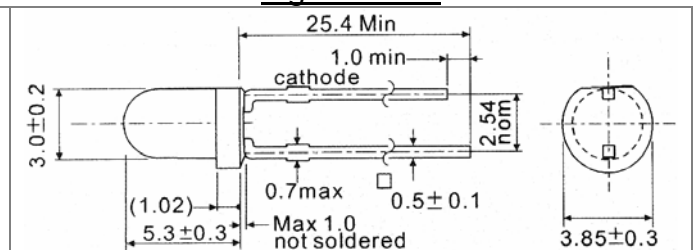
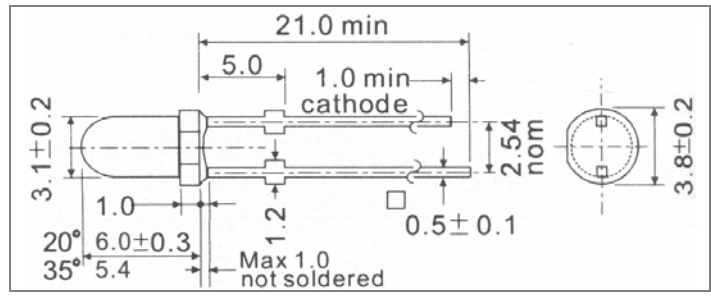


Figure 3W-C



SuperBright - White - 5mm LEDs

Part Number	Color	W/L (nm)	Lens	IV (mcd)	View Angle	VF Typ.	Fig.
LED-W-5-20-4000-CTL	White		Water Clear	4000	20	3.5	5W-A
LED-W-5-20-7000-CTL	White		Water Clear	7000	20	3.5	5W-A
LED-W-5-20-20K-CTL	White		Water Clear	20000	20	3.6	5W-C
LED-W-5-22-10K-CTL	White		Water Clear	10000	22	3.6	5W-B
LED-W-5-22-12K-CTL	White		Water Clear	12000	22	3.6	5W-B
LED-W-5-22-16K-CTL	White		Water Clear	16000	22	3.6	5W-B
LED-W-5-32-3000-CTL	White		Water Clear	3000	32	3.6	5W-A
LED-W-5-32-6000-CTL	White		Water Clear	6000	32	3.6	5W-A
LED-W-5-43-4200-CTL	White		Water Clear	4200	43	3.6	5W-B
LED-W-5-43-6000-CTL	White		Water Clear	6000	43	3.6	5W-B
LED-W-5-43-8000-CTL	White		Water Clear	8000	43	3.6	5W-B
LED-W-5-50-6000-CTL	White		Water Clear	6000	50	3.6	5W-C

Figure 5W-A

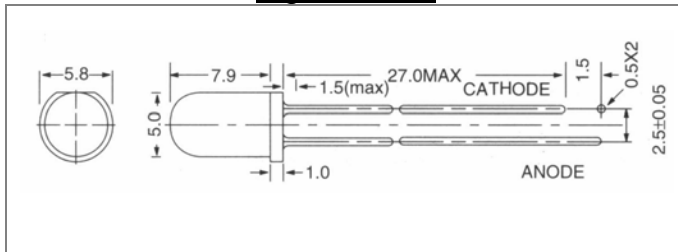


Figure 5W-B

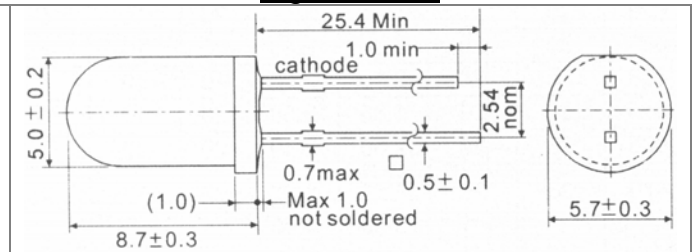
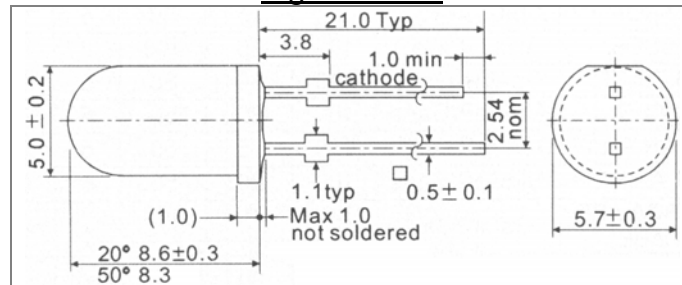


Figure 5W-C



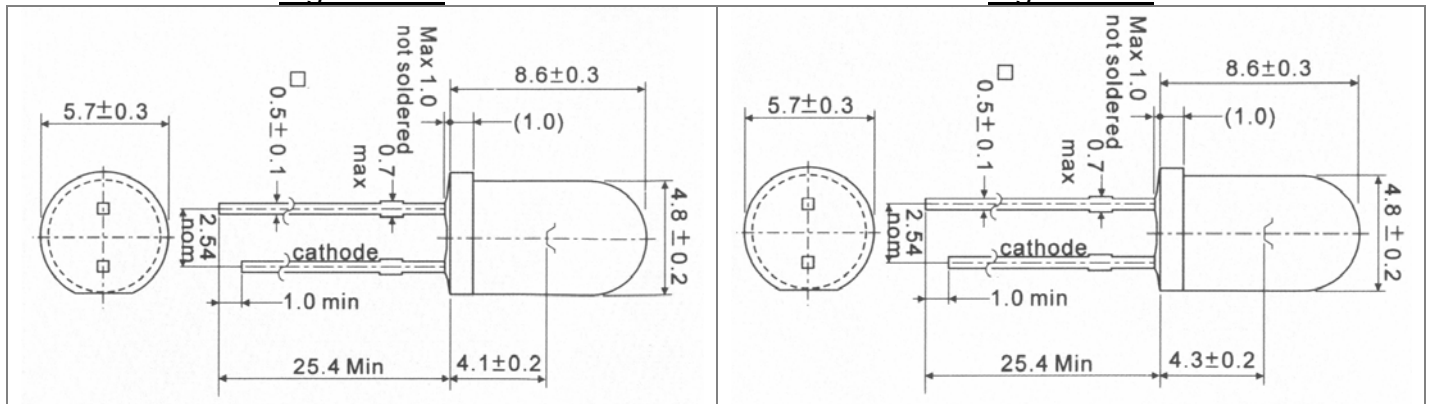
Traffic Signal Use LEDs

Part Number	Color	W/L (nm)	Lens	IV (mcd)	View Angle	VF Typ.	Fig.
LED-R-629-5-24-4800-CTL	Red	629	Water Clear	4800	24	2.0	5T-1
LED-R-626-5-24-3300-CTL	Red	626	Water Clear	3300	24	2.0	5T-1
LED-O-615-5-24-3800-CTL	Orange	615	Water Clear	3800	24	2.0	5T-1
LED-A-605-5-24-3800-CTL	Amber	605	Water Clear	3800	24	2.0	5T-1
LED-Y-590-5-24-3800-CTL	Yellow	590	Water Clear	3800	24	2.0	5T-1
LED-Y-590-5-24-4800-CTL	Yellow	590	Water Clear	4800	24	2.0	5T-1
LED-YG-572-5-24-1800-CTL	Yellow Green	572	Water Clear	1800	24	2.2	5T-1
LED-G-525-5-26-6500-CTL	Green	525	Water Clear	6500	26	3.5	5T-1
LED-G-525-5-26-7000-CTL	Green	525	Water Clear	7000	26	3.5	5T-1
LED-BG-505-5-26-6000-CTL	Blue Green	505	Water Clear	6000	26	3.5	5T-1
LED-B-470-5-26-2200-CTL	Blue	470	Water Clear	2200	26	3.5	5T-1
LED-B-470-5-26-2600-CTL	Blue	470	Water Clear	2600	26	3.5	5T-1

Part Number	Color	W/L (nm)	Lens	IV (mcd)	View Angle	VF Typ.	Fig.
LED-R-629-5-30-4000-CTL	Red	629	Water Clear	4000	30	2.0	5T-2
LED-R-626-5-30-2800-CTL	Red	626	Water Clear	2800	30	2.0	5T-2
LED-O-615-5-30-3000-CTL	Orange	615	Water Clear	3000	30	2.0	5T-2
LED-A-605-5-30-3000-CTL	Amber	605	Water Clear	3000	30	2.0	5T-2
LED-Y-590-5-30-3000-CTL	Yellow	590	Water Clear	3000	30	2.0	5T-2
LED-Y-590-5-30-4000-CTL	Yellow	590	Water Clear	4000	30	2.0	5T-2
LED-YG-572-5-30-1500-CTL	Yellow Green	572	Water Clear	1500	30	2.2	5T-2
LED-G-525-5-33-5400-CTL	Green	525	Water Clear	5400	33	3.5	5T-2
LED-G-525-5-33-6000-CTL	Green	525	Water Clear	6000	33	3.5	5T-2
LED-BG-505-5-33-5500-CTL	Blue Green	505	Water Clear	5500	33	3.5	5T-2
LED-B-470-5-33-1800-CTL	Blue	470	Water Clear	1800	33	3.5	5T-2
LED-B-470-5-33-2200-CTL	Blue	470	Water Clear	2200	33	3.5	5T-2

Figure 5T-1

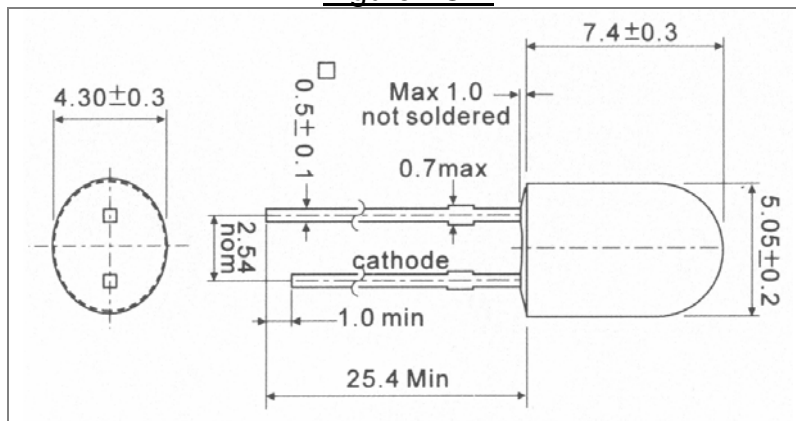
Figure 5T-2



SuperBright - Oval - 4mm LEDs

Part Number	Color	W/L (nm)	Lens	IV (mcd)	View Angle	VF Typ.	Fig.
LED-R-645-4H-4020-2800-CTL	Red	645	Water Clear	2800	4020	1.9	4O-1
LED-R-629-4H-4020-6000-CTL	Red	629	Water Clear	6000	4020	2.3	4O-1
LED-R-626-4H-4020-3400-CTL	Red	626	Water Clear	3400	4020	2.0	4O-1
LED-O-615-4H-4020-4000-CTL	Orange	615	Water Clear	4000	4020	2.0	4O-1
LED-Y-590-4H-4020-4000-CTL	Yellow	590	Water Clear	4000	4020	2.0	4O-1
LED-Y-590-4H-4020-5700-CTL	Yellow	590	Water Clear	5700	4020	2.3	4O-1
LED-YG-567-4H-4020-600-CTL	Yellow Green	567	Water Clear	600	4020	2.2	4O-1
LED-G-525-4H-4020-4500-CTL	Green	525	Water Clear	4500	4020	3.5	4O-1
LED-G-525-4H-4020-5500-CTL	Green	525	Water Clear	5500	4020	3.5	4O-1
LED-C-505-4H-4020-5000-CTL	Cyan	505	Water Clear	5000	4020	3.5	4O-1
LED-B-470-4H-4020-1500-CTL	Blue	470	Water Clear	1500	4020	3.5	4O-1
LED-B-470-4H-4020-2000-CTL	Blue	470	Water Clear	2000	4020	3.5	4O-1
LED-R-645-4H-10040-900-CTL	Red	645	Water Clear	900	10040	1.9	4O-1
LED-R-629-4H-10040-2500-CTL	Red	629	Water Clear	2500	10040	2.3	4O-1
LED-R-626-4H-10040-1000-CTL	Red	626	Water Clear	1000	10040	2.0	4O-1
LED-O-615-4H-10040-1200-CTL	Orange	615	Water Clear	1200	10040	2.0	4O-1
LED-Y-590-4H-10040-1200-CTL	Yellow	590	Water Clear	1200	10040	2.0	4O-1
LED-Y-590-4H-10040-1800-CTL	Yellow	590	Water Clear	1800	10040	2.3	4O-1
LED-YG-567-4H-10040-200-CTL	Yellow Green	567	Water Clear	200	10040	2.2	4O-1
LED-G-525-4H-10040-1800-CTL	Green	525	Water Clear	1800	10040	3.5	4O-1
LED-G-525-4H-10040-2500-CTL	Green	525	Water Clear	2500	10040	3.5	4O-1
LED-C-505-4H-10040-1850-CTL	Cyan	505	Water Clear	1850	10040	3.5	4O-1
LED-B-470-4H-10040-500-CTL	Blue	470	Water Clear	500	10040	3.5	4O-1
LED-B-470-4H-10040-750-CTL	Blue	470	Water Clear	750	10040	3.5	4O-1

Figure 4O-1

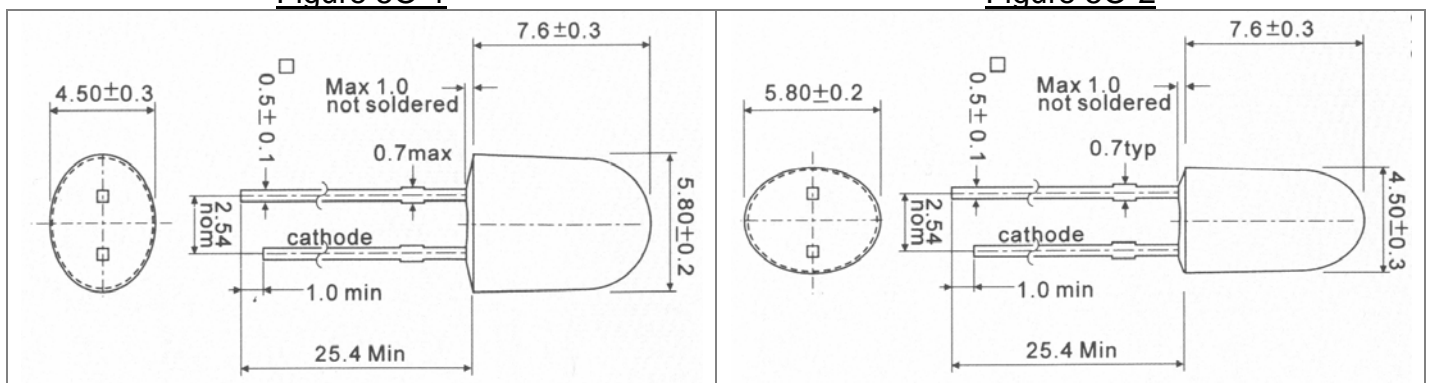


SuperBright - Oval - 5mm LEDs

Part Number	Color	W/L (nm)	Lens	IV (mcd)	View Angle	VF Typ.	Fig.
LED-R-645-5H-7025-2700-CTL	Red	645	Water Clear	2700	7025	1.9	50-1
LED-R-629-5H-7025-4300-CTL	Red	629	Water Clear	4300	7025	2.2	50-1
LED-R-626-5H-7025-3300-CTL	Red	626	Water Clear	3300	7025	2.0	50-1
LED-O-615-5H-7025-3800-CTL	Orange	615	Water Clear	3800	7025	2.0	50-1
LED-Y-590-5H-7025-3800-CTL	Yellow	590	Water Clear	3800	7025	2.0	50-1
LED-Y-590-5H-7025-5200-CTL	Yellow	590	Water Clear	5200	7025	2.3	50-1
LED-YG-567-5H-7025-600-CTL	Yellow Green	567	Water Clear	600	7025	2.2	50-1
LED-G-525-5H-7025-4000-CTL	Green	525	Water Clear	4000	7025	3.5	50-1
LED-G-525-5H-7025-6000-CTL	Green	525	Water Clear	6000	7025	3.5	50-1
LED-B-505-5H-7025-5000-CTL	Blue Green	505	Water Clear	5000	7025	3.5	50-1
LED-B-470-5H-7025-1400-CTL	Blue	470	Water Clear	1400	7025	3.5	50-1
LED-B-470-5H-7025-1800-CTL	Blue	470	Water Clear	1800	7025	3.5	50-1
LED-R-645-5V-2570-2700-CTL	Red	645	Water Clear	2700	2570	1.9	50-2
LED-R-629-5V-2570-4300-CTL	Red	629	Water Clear	4300	2570	2.2	50-2
LED-R-626-5V-2570-3300-CTL	Red	626	Water Clear	3300	2570	2.0	50-2
LED-O-615-5V-2570-3800-CTL	Orange	615	Water Clear	3800	2570	2.0	50-2
LED-Y-590-5V-2570-3800-CTL	Yellow	590	Water Clear	3800	2570	2.0	50-2
LED-Y-590-5V-2570-5200-CTL	Yellow	590	Water Clear	5200	2570	2.3	50-2
LED-YG-567-5V-2570-600-CTL	Yellow Green	567	Water Clear	600	2570	2.2	50-2
LED-G-525-5V-2570-4000-CTL	Green	525	Water Clear	4000	2570	3.5	50-2
LED-G-525-5V-2570-6000-CTL	Green	525	Water Clear	6000	2570	3.5	50-2
LED-B-505-5V-2570-5000-CTL	Blue Green	505	Water Clear	5000	2570	3.5	50-2
LED-B-470-5V-2570-1400-CTL	Blue	470	Water Clear	1400	2570	3.5	50-2
LED-B-470-5V-2570-1800-CTL	Blue	470	Water Clear	1800	2570	3.5	50-2

Figure 50-1

Figure 50-2



Superflux LEDs

Part Number	Color	W/L (nm)	Lens	IV (mcd)	View Angle	VF Typ.	Fig.
LED-R-623-SF-40-1700-CTL	Red	623	Water Clear	1700	40	2.3	SF-A
LED-R-623-SF-40-2500-CTL	Red	623	Water Clear	2500	40	2.7	SF-A
LED-R-623-SF-60-1700-CTL	Red	623	Water Clear	1700	60	2.3	SF-B
LED-R-623-SF-70-2500-CTL	Red	623	Water Clear	2500	70	2.7	SF-C
LED-R-623-SF-90-1700-CTL	Red	623	Water Clear	1700	90	2.3	SF-D
LED-R-623-SF-90-2500-CTL	Red	623	Water Clear	2500	90	2.7	SF-D
LED-R-623-SF-130-1700-CTL	Red	623	Water Clear	1700	130	2.3	SF-E
LED-R-623-SF-130-2500-CTL	Red	623	Water Clear	2500	130	2.7	SF-E
LED-Y-589-SF-40-1700-CTL	Yellow	589	Water Clear	1700	40	2.3	SF-A
LED-Y-589-SF-40-2500-CTL	Yellow	589	Water Clear	2500	40	2.7	SF-A
LED-Y-589-SF-60-1700-CTL	Yellow	589	Water Clear	1700	60	2.3	SF-B
LED-Y-589-SF-70-2500-CTL	Yellow	589	Water Clear	2500	70	2.7	SF-C
LED-Y-589-SF-90-1700-CTL	Yellow	589	Water Clear	1700	90	2.3	SF-D
LED-Y-589-SF-90-2500-CTL	Yellow	589	Water Clear	2500	90	2.7	SF-D
LED-Y-589-SF-130-1700-CTL	Yellow	589	Water Clear	1700	130	2.3	SF-E
LED-Y-589-SF-130-2500-CTL	Yellow	589	Water Clear	2500	130	2.7	SF-E
LED-G-525-SF-40-2500-CTL	Green	525	Water Clear	2500	40	4.0	SF-A
LED-G-525-SF-60-2500-CTL	Green	525	Water Clear	2500	60	4.0	SF-B
LED-G-525-SF-90-2500-CTL	Green	525	Water Clear	2500	90	4.0	SF-D
LED-G-525-SF-130-2500-CTL	Green	525	Water Clear	2500	130	4.0	SF-E
LED-BG-505-SF-90-1500-CTL	Blue Green	505	Water Clear	1500	90	4.0	SF-D
LED-B-470-SF-40-850-CTL	Blue	470	Water Clear	850	40	4.0	SF-A
LED-B-470-SF-60-850-CTL	Blue	470	Water Clear	850	60	4.0	SF-B
LED-B-470-SF-90-850-CTL	Blue	470	Water Clear	850	90	4.0	SF-D
LED-B-470-SF-130-850-CTL	Blue	470	Water Clear	850	130	4.0	SF-E
LED-W-SF-40-2500-CTL	White		Water Clear	2500	40	4.0	SF-A
LED-W-SF-60-2500-CTL	White		Water Clear	2500	60	4.0	SF-B
LED-W-SF-120-2500-CTL	White		Water Clear	2500	120	4.0	SF-E
LED-RGB-SF-100-CTL	RGB	625 525 470	Water Clear	1200 3000 975	100	2.3 4.0 4.0	SF-D
LED-RGB-SF-130-CTL	RGB	625 525 470	Water Clear	1200 3000 975	130	2.3 4.0 4.0	SF-E

Figure SF-A

Figure SF-B

Figure SF-C

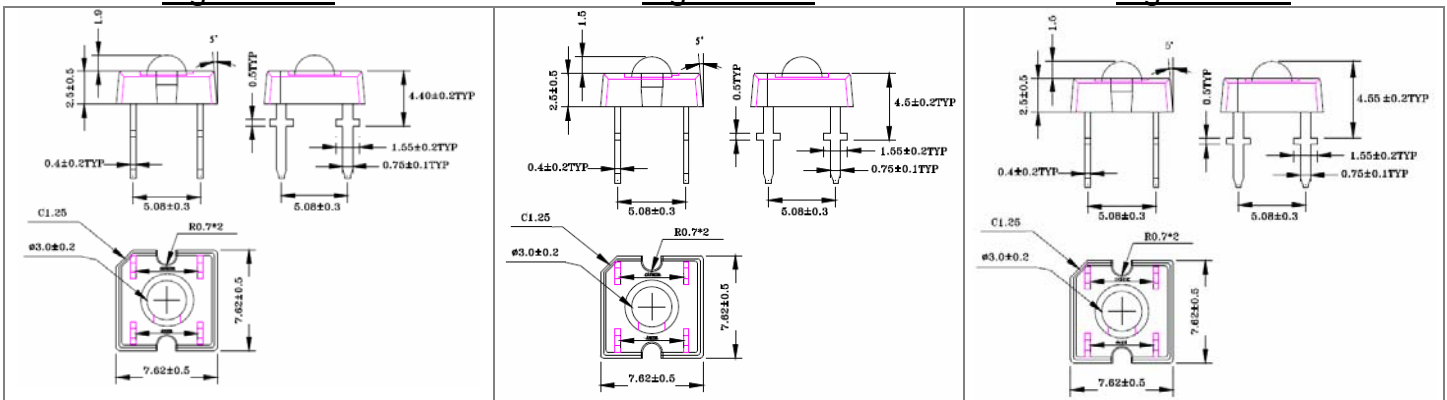


Figure SF-D

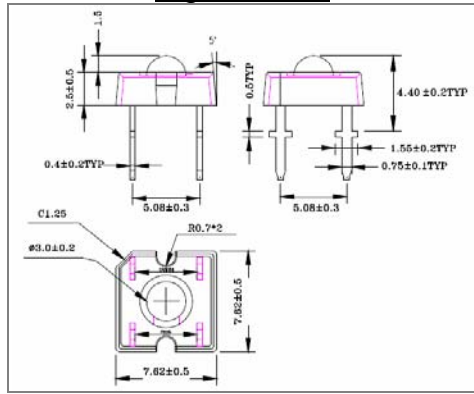
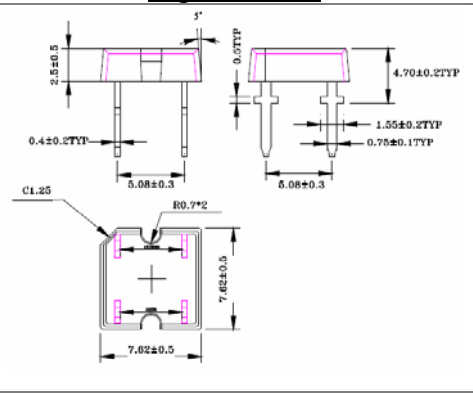


Figure SF-E

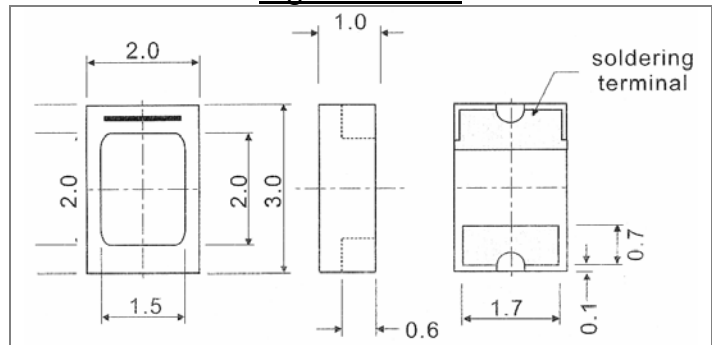


Surface Mount LEDs

SMT 1208 LEDs

Part Number	Color	W/L (nm)	Lens	IV (mcd)	View Angle	VF Typ.	Fig.
LED-R-658-1208-120-3-CTL	Red	658	Water Clear	3	120	2.2	1208-A
LED-R-645-1208-120-56-CTL	Red	645	Water Clear	56	120	1.9	1208-A
LED-R-643-1208-120-26-CTL	Red	643	Water Clear	26	120	1.8	1208-A
LED-R-643-1208-120-38-CTL	Red	643	Water Clear	38	120	1.8	1208-A
LED-R-618-1208-120-14-CTL	Red	618	Water Clear	14	120	2.1	1208-A
LED-O-615-1208-120-65-CTL	Orange	615	Water Clear	65	120	2.0	1208-A
LED-Y-590-1208-120-66-CTL	Yellow	590	Water Clear	66	120	2.0	1208-A
LED-Y-585-1208-120-8-CTL	Yellow	585	Water Clear	8	120	2.1	1208-A
LED-YG-567-1208-120-16-CTL	Yellow Green	567	Water Clear	16	120	2.2	1208-A
LED-G-525-1208-120-150-CTL	Green	525	Water Clear	150	120	3.5	1208-A
LED-B-470-1208-120-45-CTL	Blue	470	Water Clear	45	120	3.5	1208-A
LED-W-1208-120-225-CTL	White		Yellow Clear	225	120	3.6	1208-A

Figure 1208-A



SMT 1206 LEDs

Part Number	Color	W/L (nm)	Lens	IV (mcd)	View Angle	VF Typ.	Fig.
LED-R-658-1206-140-1-CTL	Red	658	Water Clear	1	140	2.3	1206-A
LED-R-645-1206-140-45-CTL	Red	645	Water Clear	45	140	1.9	1206-A
LED-R-643-1206-140-17-CTL	Red	643	Water Clear	17	140	1.8	1206-A
LED-R-643-1206-140-25-CTL	Red	643	Water Clear	25	140	1.8	1206-A
LED-R-638-1206-140-25-CTL	Red	638	Water Clear	25	140	2.1	1206-A
LED-R-626-1206-140-100-CTL	Red	626	Water Clear	100	140	2.0	1206-A
LED-R-618-1206-140-8-CTL	Red	618	Water Clear	8	140	2.1	1206-A
LED-O-615-1206-140-100-CTL	Orange	615	Water Clear	100	140	2.0	1206-A
LED-O-615-1206-140-150-CTL	Orange	615	Water Clear	150	140	2.0	1206-A
LED-A-606-1206-140-8-CTL	Amber	606	Water Clear	8	140	2.1	1206-A
LED-A-605-1206-140-130-CTL	Amber	605	Water Clear	130	140	2.0	1206-A
LED-Y-588-1206-140-60-CTL	Yellow	588	Water Clear	60	140	2.0	1206-A
LED-Y-588-1206-140-100-CTL	Yellow	588	Water Clear	100	140	2.0	1206-A
LED-Y-585-1206-140-6-CTL	Yellow	585	Water Clear	6	140	2.1	1206-A
LED-YG-572-1206-140-25-CTL	Yellow Green	572	Water Clear	25	140	2.2	1206-A
LED-YG-567-1206-140-10-CTL	Yellow Green	567	Water Clear	10	140	2.2	1206-A
LED-YG-567-1206-140-13-CTL	Yellow Green	567	Water Clear	13	140	2.2	1206-A
LED-YG-567-1206-140-20-CTL	Yellow Green	567	Water Clear	20	140	2.2	1206-A
LED-G-555-1206-140-3-CTL	Green	555	Water Clear	3	140	2.2	1206-A
LED-G-525-1206-140-220-CTL	Green	525	Water Clear	220	140	3.5	1206-A
LED-BG-505-1206-140-130-CTL	Blue Green	505	Water Clear	130	140	3.5	1206-A
LED-B-470-1206-140-10-CTL	Blue	470	Water Clear	10	140	2.9	1206-A
LED-B-470-1206-140-48-CTL	Blue	470	Water Clear	48	140	3.5	1206-A
LED-W-1206-140-160-CTL	White		Yellow Diffused	160	140	3.5	1206-A
LED-R-645-1206-20-70-CTL	Red	645	Water Clear	70	20	1.9	1206-B
LED-R-618-1206-20-18-CTL	Red	618	Water Clear	18	20	2.1	1206-B
LED-O-615-1206-20-150-CTL	Orange	615	Water Clear	150	20	2.0	1206-B
LED-Y-588-1206-20-78-CTL	Yellow	588	Water Clear	78	20	2.0	1206-B
LED-Y-585-1206-20-18-CTL	Yellow	585	Water Clear	18	20	2.1	1206-B
LED-YG-567-1206-20-30-CTL	Yellow Green	567	Water Clear	30	20	2.2	1206-B
LED-YG-567-1206-20-39-CTL	Yellow Green	567	Water Clear	39	20	2.2	1206-B
LED-G-525-1206-20-309-CTL	Green	525	Water Clear	309	20	3.5	1206-B
LED-B-470-1206-20-80-CTL	Blue	470	Water Clear	80	20	3.5	1206-B
LED-B-470-1206-20-105-CTL	Blue	470	Water Clear	105	20	3.5	1206-B

Figure 1206-A

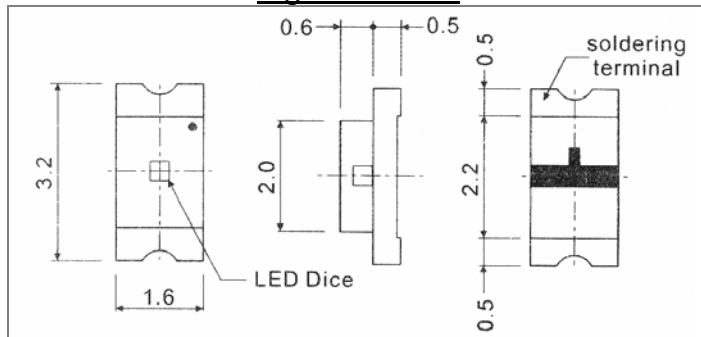
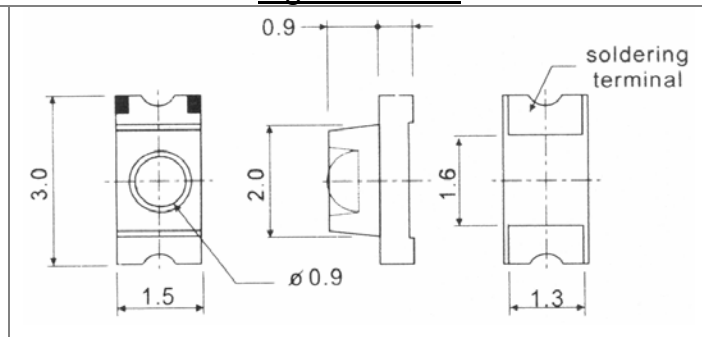


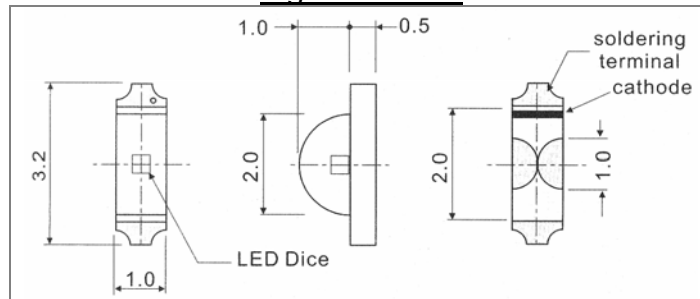
Figure 1206-B



SMT 1204 Right Angle LEDs

Part Number	Color	W/L (nm)	Lens	IV (mcd)	View Angle	VF Typ.	Fig.
LED-R-658-1204R-120-3-CTL	Red	658	Water Clear	3	120	2.2	1204-A
LED-R-643-1204R-120-26-CTL	Red	643	Water Clear	26	120	1.8	1204-A
LED-R-643-1204R-120-38-CTL	Red	643	Water Clear	38	120	1.8	1204-A
LED-R-618-1204R-120-14-CTL	Red	618	Water Clear	14	120	2.1	1204-A
LED-O-615-1204R-120-60-CTL	Orange	615	Water Clear	60	120	2.0	1204-A
LED-A-606-1204R-120-6-CTL	Amber	606	Water Clear	6	120	2.1	1204-A
LED-A-605-1204R-120-60-CTL	Amber	605	Water Clear	60	120	2.0	1204-A
LED-Y-588-1204R-120-60-CTL	Yellow	588	Water Clear	60	120	2.0	1204-A
LED-Y-585-1204R-120-8-CTL	Yellow	585	Water Clear	8	120	2.1	1204-A
LED-YG-572-1204R-120-60-CTL	Yellow Green	572	Water Clear	60	120	2.2	1204-A
LED-YG-567-1204R-120-14-CTL	Yellow Green	567	Water Clear	14	120	2.2	1204-A
LED-G-564-1204R-120-7-CTL	Green	564	Water Clear	7	120	2.2	1204-A
LED-G-560-1204R-120-4-CTL	Green	560	Water Clear	4	120	2.3	1204-A
LED-B-470-1204R-120-60-CTL	Blue	470	Water Clear	60	120	3.5	1204-A

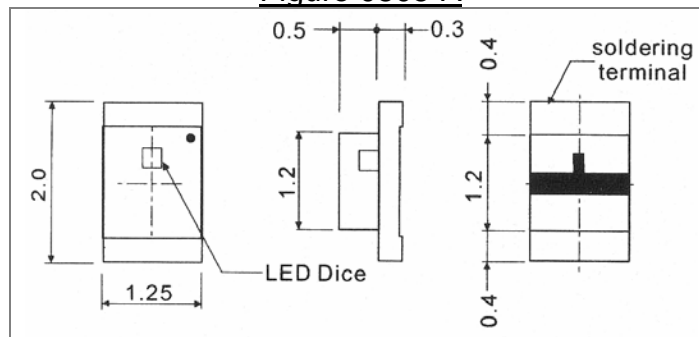
Figure 1204-A



SMT 0805 LEDs

Part Number	Color	W/L (nm)	Lens	IV (mcd)	View Angle	VF Typ.	Fig.
LED-R-658-0805-140-1-CTL	Red	658	Water Clear	1	140	2.2	0805-A
LED-R-645-0805-140-45-CTL	Red	645	Water Clear	45	140	1.9	0805-A
LED-R-643-0805-140-12-CTL	Red	643	Water Clear	12	140	1.8	0805-A
LED-R-643-0805-140-25-CTL	Red	643	Water Clear	25	140	1.8	0805-A
LED-R-638-0805-140-20-CTL	Red	638	Water Clear	20	140	2.1	0805-A
LED-R-626-0805-140-60-CTL	Red	626	Water Clear	60	140	2.0	0805-A
LED-R-618-0805-140-6-CTL	Red	618	Water Clear	6	140	2.1	0805-A
LED-O-615-0805-140-70-CTL	Orange	615	Water Clear	70	140	2.0	0805-A
LED-O-615-0805-140-125-CTL	Orange	615	Water Clear	125	140	2.0	0805-A
LED-A-606-0805-140-6-CTL	Amber	606	Water Clear	6	140	2.1	0805-A
LED-A-605-0805-140-120-CTL	Amber	605	Water Clear	120	140	2.0	0805-A
LED-Y-588-0805-140-50-CTL	Yellow	588	Water Clear	50	140	2.0	0805-A
LED-Y-588-0805-140-100-CTL	Yellow	588	Water Clear	100	140	2.0	0805-A
LED-Y-585-0805-140-6-CTL	Yellow	585	Water Clear	6	140	2.1	0805-A
LED-YG-572-0805-140-22-CTL	Yellow Green	572	Water Clear	22	140	2.2	0805-A
LED-YG-567-0805-140-11-CTL	Yellow Green	567	Water Clear	11	140	2.2	0805-A
LED-YG-567-0805-140-13-CTL	Yellow Green	567	Water Clear	13	140	2.2	0805-A
LED-YG-567-0805-140-20-CTL	Yellow Green	567	Water Clear	20	140	2.2	0805-A
LED-G-555-0805-140-3-CTL	Green	555	Water Clear	2.5	140	2.2	0805-A
LED-G-525-0805-140-220-CTL	Green	525	Water Clear	220	140	3.5	0805-A
LED-BG-505-0805-140-160-CTL	Blue Green	505	Water Clear	160	140	3.5	0805-A
LED-B-470-0805-140-48-CTL	Blue	470	Water Clear	48	140	3.5	0805-A
LED-B-468-0805-140-10-CTL	Blue	468	Water Clear	10	140	2.9	0805-A
LED-W-0805-140-150-CTL	White		Yellow Diffused	150	140	3.5	0805-A

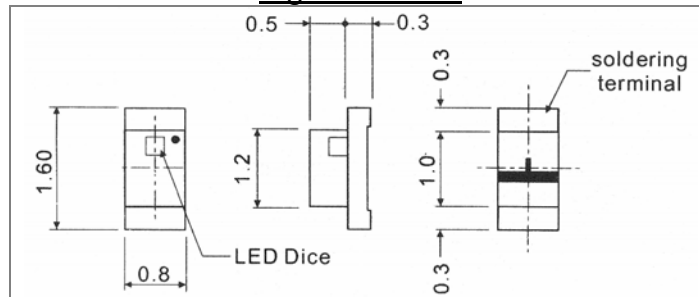
Figure 0805-A



SMT 0603 LEDs

Part Number	Color	W/L (nm)	Lens	IV (mcd)	View Angle	VF Typ.	Fig.
LED-R-658-0603-140-1-CTL	Red	658	Water Clear	1	140	2.2	0603-A
LED-R-645-0603-140-30-CTL	Red	645	Water Clear	30	140	1.9	0603-A
LED-R-643-0603-140-10-CTL	Red	643	Water Clear	10	140	1.8	0603-A
LED-R-643-0603-140-25-CTL	Red	643	Water Clear	25	140	1.8	0603-A
LED-R-638-0603-140-25-CTL	Red	638	Water Clear	25	140	2.1	0603-A
LED-R-626-0603-140-70-CTL	Red	626	Water Clear	70	140	2.0	0603-A
LED-R-618-0603-140-5-CTL	Red	618	Water Clear	5	140	2.1	0603-A
LED-O-615-0603-140-75-CTL	Orange	615	Water Clear	75	140	2.0	0603-A
LED-O-615-0603-140-120-CTL	Orange	615	Water Clear	120	140	2.0	0603-A
LED-A-606-0603-140-8-CTL	Amber	606	Water Clear	8	140	2.1	0603-A
LED-A-605-0603-140-120-CTL	Amber	605	Water Clear	120	140	2.0	0603-A
LED-Y-588-0603-140-80-CTL	Yellow	588	Water Clear	80	140	2.0	0603-A
LED-Y-588-0603-140-100-CTL	Yellow	588	Water Clear	100	140	2.0	0603-A
LED-Y-585-0603-140-6-CTL	Yellow	585	Water Clear	6	140	2.1	0603-A
LED-YG-572-0603-140-20-CTL	Yellow Green	572	Water Clear	20	140	2.2	0603-A
LED-YG-567-0603-140-9-CTL	Yellow Green	567	Water Clear	9	140	2.2	0603-A
LED-YG-567-0603-140-13-CTL	Yellow Green	567	Water Clear	13	140	2.2	0603-A
LED-YG-567-0603-140-16-CTL	Yellow Green	567	Water Clear	16	140	2.2	0603-A
LED-G-555-0603-140-2-CTL	Green	555	Water Clear	2	140	2.2	0603-A
LED-G-525-0603-140-180-CTL	Green	525	Water Clear	180	140	3.5	0603-A
LED-BG-505-0603-140-130-CTL	Blue Green	505	Water Clear	130	140	3.5	0603-A
LED-B-470-0603-140-8-CTL	Blue	470	Water Clear	8	140	2.9	0603-A
LED-B-470-0603-140-48-CTL	Blue	470	Water Clear	48	140	3.5	0603-A
LED-W-0603-140-150-CTL	White		Yellow Diffused	150	140	3.5	0603-A

Figure 0603-A



SMT TopLED LEDs

Part Number	Color	W/L (nm)	Lens	IV (mcd)	View Angle	VF Typ.	Fig.
LED-R-623-TL-120-120-CTL	Red	623	Water Clear	120	120	2.0	TL-A
LED-R-623-TL-120-190-CTL	Red	623	Water Clear	190	120	2.0	TL-A
LED-R-623-TL-120-480-CTL	Red	623	Water Clear	480	120	2.0	TL-A
LED-Y-589-TL-120-120-CTL	Yellow	589	Water Clear	120	120	2.0	TL-A
LED-Y-589-TL-120-300-CTL	Yellow	589	Water Clear	300	120	2.0	TL-A
LED-Y-589-TL-120-480-CTL	Yellow	589	Water Clear	480	120	2.0	TL-A
LED-G-525-TL-120-400-CTL	Green	525	Water Clear	400	120	2.7	TL-B
LED-G-525-TL-110-730-CTL	Green	525	Water Clear	730	110	3.3	TL-C
LED-B-470-TL-120-220-CTL	Blue	470	Water Clear	220	120	3.3	TL-B
LED-B-470-TL-110-470-CTL	Blue	470	Water Clear	470	110	3.3	TL-C
LED-W-TL-120-600-CTL	White		Yellow Diffused	600	120	3.3	TL-B
LED-W-TL-110-1000-CTL	White		Water Clear	1000	110	3.4	TL-C
LED-RGB1-SF-120-CTL	RGB	623 525 470	Water Clear	140 190 75	120	2.0 3.4 3.4	TL-D
LED-RGB2-SF-120-CTL	RGB	623 525 470	Water Clear	200 300 100	120	2.0 3.4 3.4	TL-D

Figure TL-A

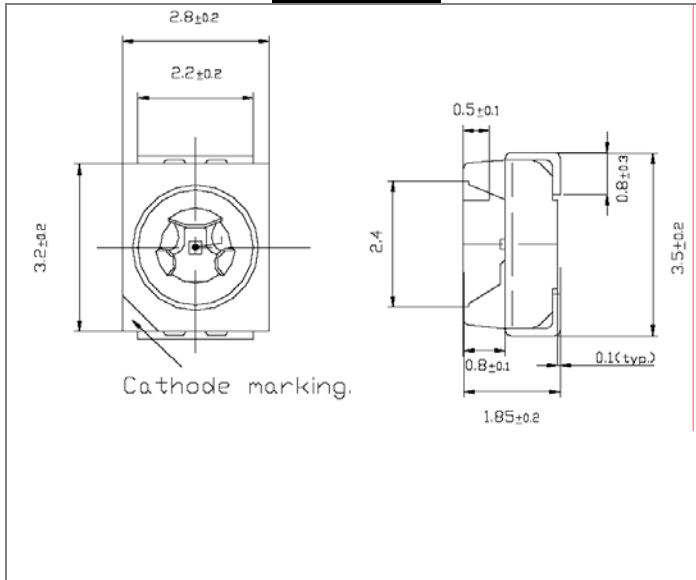


Figure TL-A

Figure TL-B

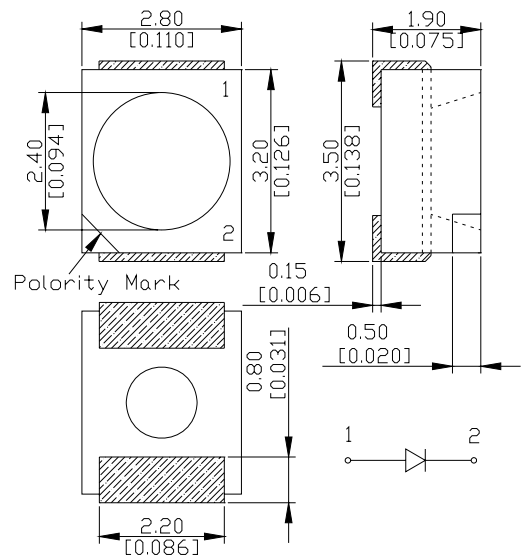
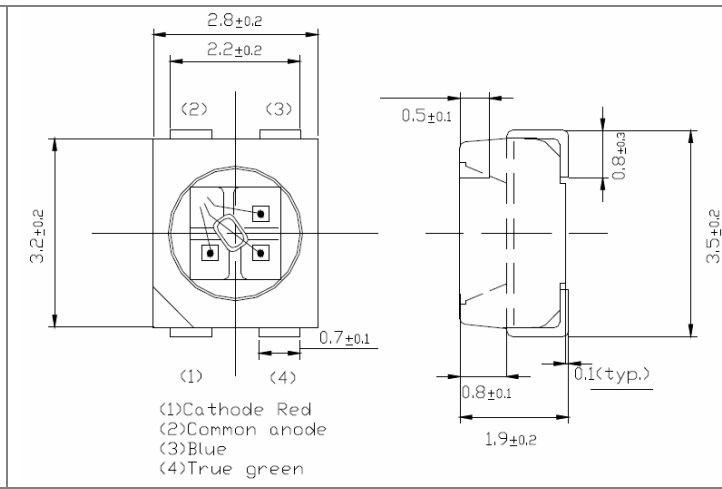
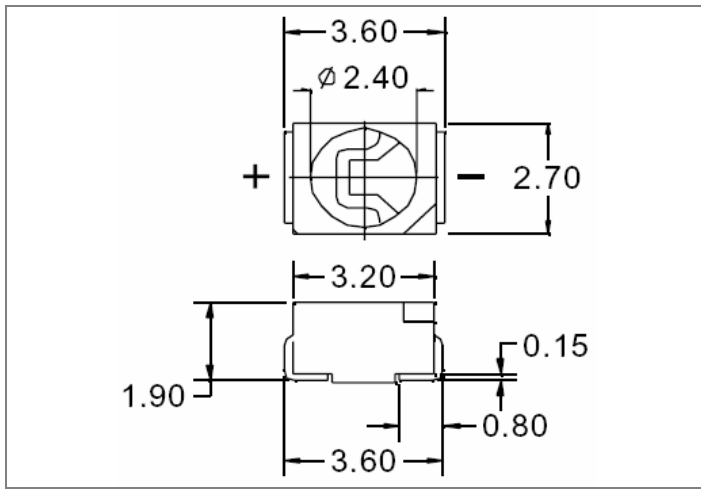


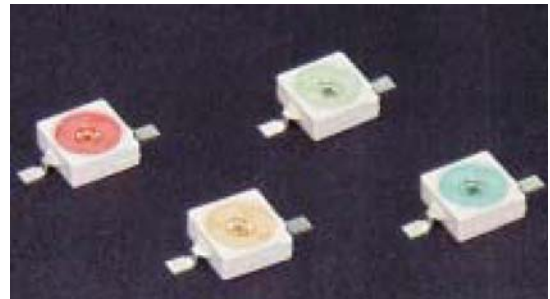
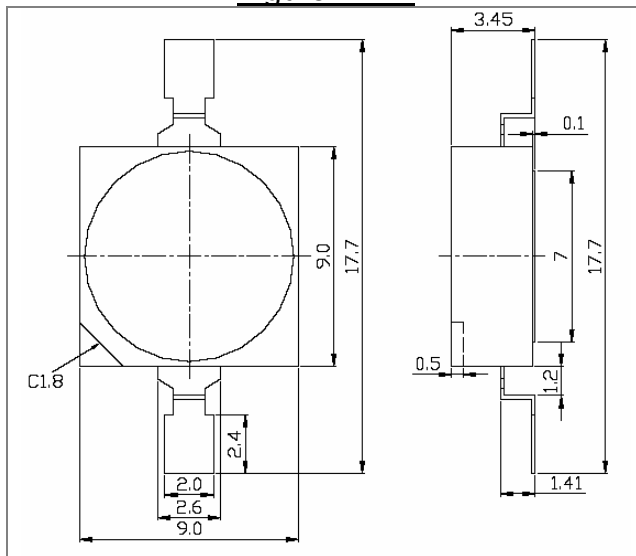
Figure TL-B



SMT Mega TopLED LEDs

Part Number	Color	W/L (nm)	Lens	IV (mcd)	View Angle	VF Typ.	Fig.
LED-R-623-MTL-110-25-CTL	Red	623	Tinted	25	110	2.5	MT-A
LED-Y-590-MTL-110-25-CTL	Yellow	590	Tinted	25	110	2.5	MT-A
LED-G-525-MTL-110-25-CTL	Green	525	Tinted	25	110	3.3	MT-A
LED-B-470-MTL-110-6-CTL	Blue	470	Tinted	6	110	3.3	MT-A
LED-W-MTL-110-23-CTL	White		Water Clear	23	110	3.3	MT-A

Figure MT-A



SMT 7 Segment Displays

Part Number	Color	W/L (nm)	Height	Face Color	Segment Color	IV (mcd)	VF Typ.	Fig.
LED-R-640-7140xSM-4.0-CTL	Red	640	0.40"	White	Grey	4	2.0	7SM-A
LED-O-622-7140xSM-2.0-CTL	Orange	622	0.40"	White	Grey	2	2.1	7SM-A
LED-YG-573-7140xSM-3.0-CTL	Yellow Green	573	0.40"	White	Grey	3	2.3	7SM-A
LED-B-470-7140xSM-2.0-CTL	Blue	470	0.40"	White	Grey	2	3.3	7SM-A
LED-R-640-7156xSM-5.0-CTL	Red	640	0.56"	White	Grey	5	2.0	7SM-B
LED-O-622-7156xSM-3.5-CTL	Orange	622	0.56"	White	Grey	3.5	2.1	7SM-B
LED-YG-573-7156xSM-4.5-CTL	Yellow Green	573	0.56"	White	Grey	4.5	2.3	7SM-B
LED-B-470-7156xSM-3.5-CTL	Blue	470	0.56"	White	Grey	3.5	3.3	7SM-B

Figure 7SM-A

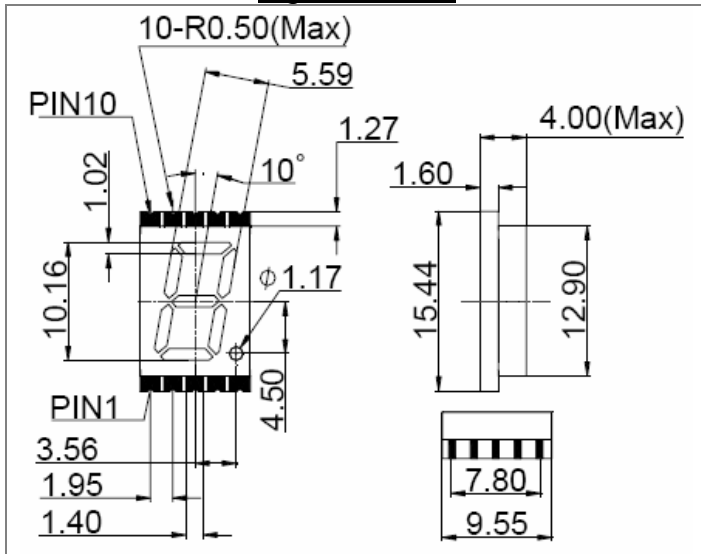
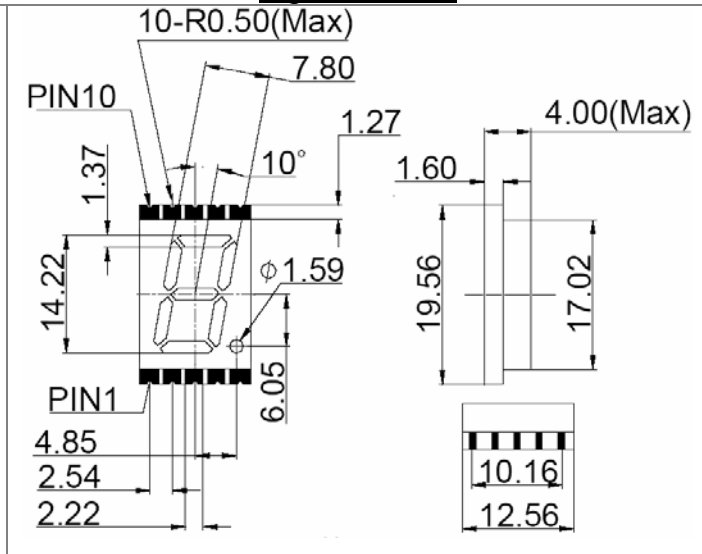


Figure 7SM-B





Chip Tech, Ltd.

CORPORATE OFFICE & WAREHOUSE

175 Central Ave.
Farmingdale, NY 11735
Phone: 631-227-3000
Fax: 631-227-3070
800: 800-762-4536

TEXAS - PHARR : OFFICE & WAREHOUSE

106 South Austin Drive
Pharr TX 78577
Phone: 956-782-6823
Fax: 956-782-8137

CANADA : OFFICE & WAREHOUSE

1615 St. Mary's Rd., Ste 104
Winnipeg, MB, R2M 3W8
Phone: 204-257-4999
Fax: 204-257-8822
800: 866-776-2667

CHIP TEK EN MEXICO

Rio Mante St
RFC #CTM04111Ouy9
Reynosa,
Tamps Mex, C. P. 88500
Mexico
Phone: 011 52 899 923-4747

WISCONSIN

W62 N563 Washington
Cedarburg, WI 53012-0747
Phone: 262-376-9747
Fax: 262-376-9748

CALIFORNIA

Fremont, CA 94537
Phone: 510-505-9030
Fax: 510-505-9527
800: 877-724-9378

<http://www.chiptech.com>